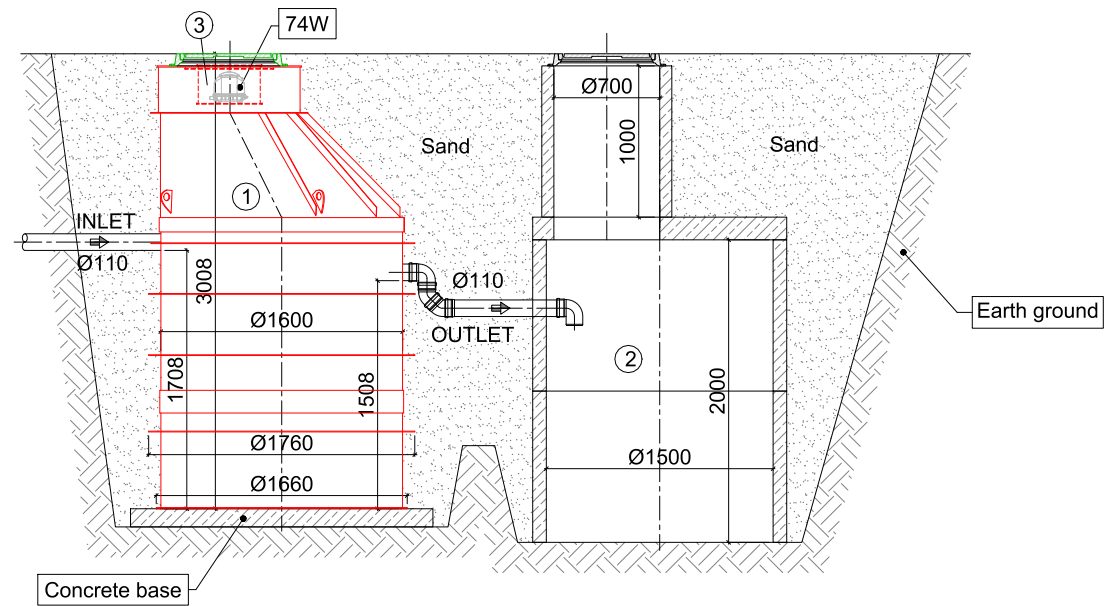


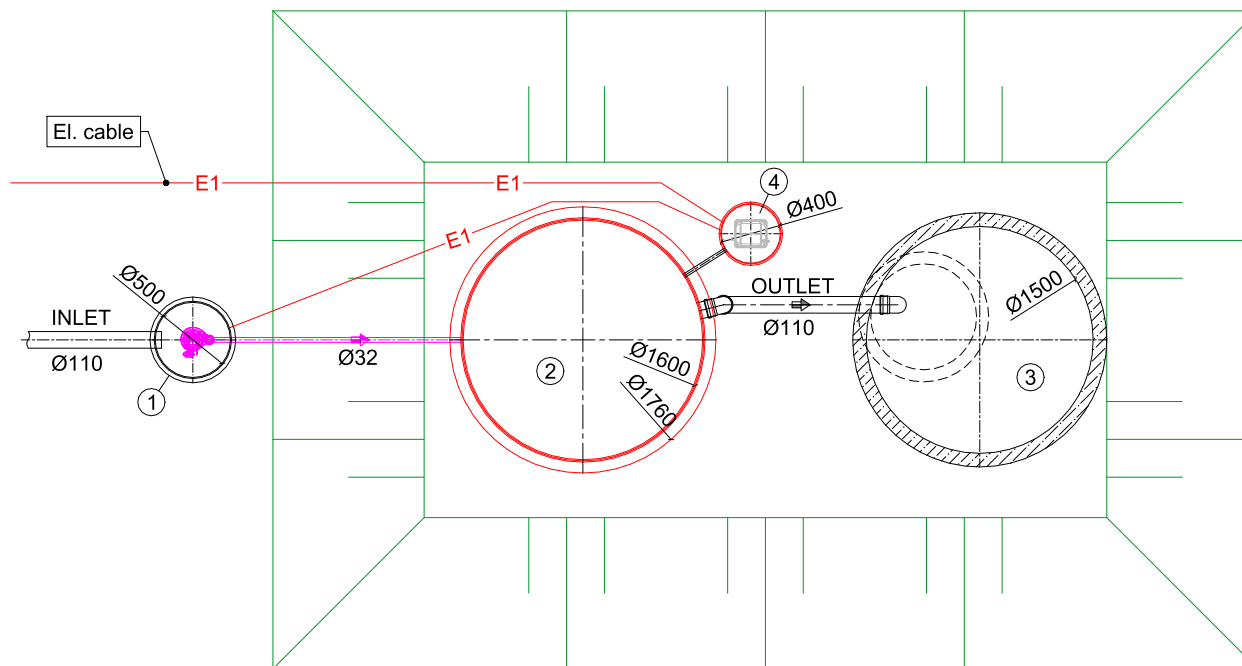
EXPLICATION:

- 1. WWTP AT10KL;
- 2. Infiltration well;
- 3. Air blower tank.



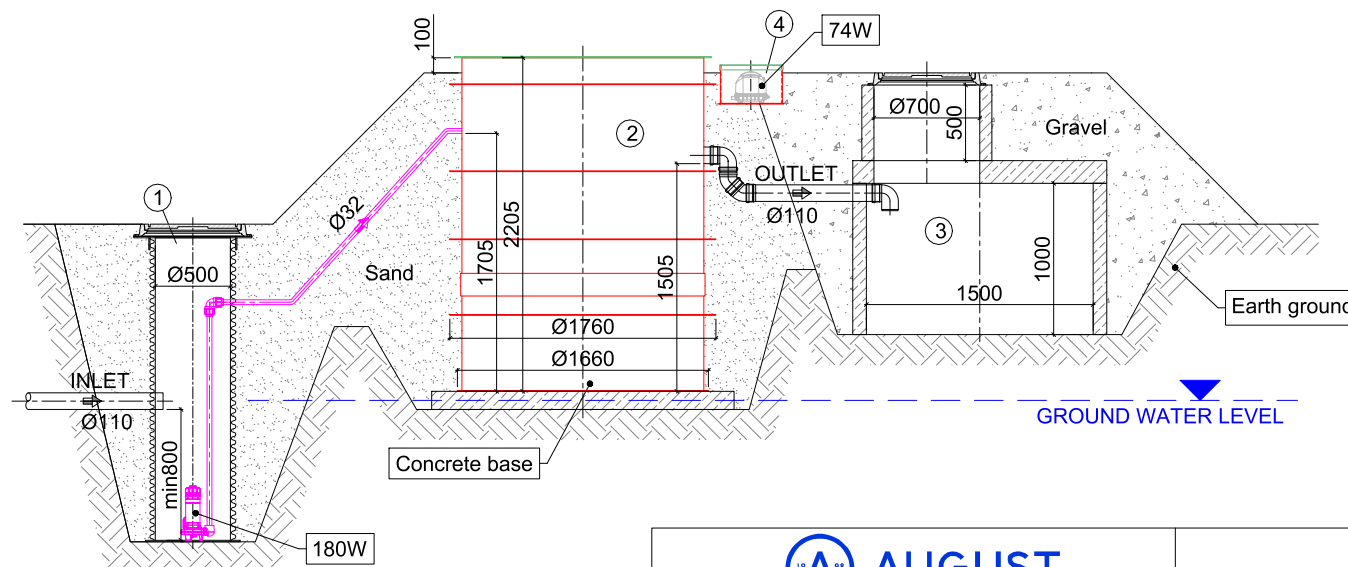
Meiliakalnio k. 1, Jauniūnų sen., Tel./Fax. 8-5 235 50 83

AT10 installation scheme A



EXPLICATION:

- 1. Pumping station;
- 2. WWTP AT10;
- 3. Infiltration well;
- 4. Air blower tank.



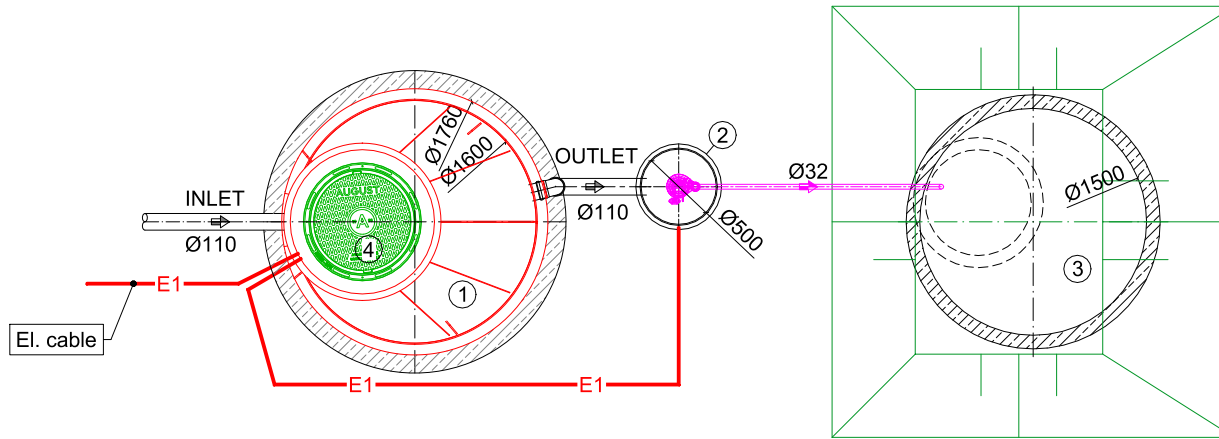
Attention:

The depth of the pumping station depends on the deepening of the exit pipe from the building;



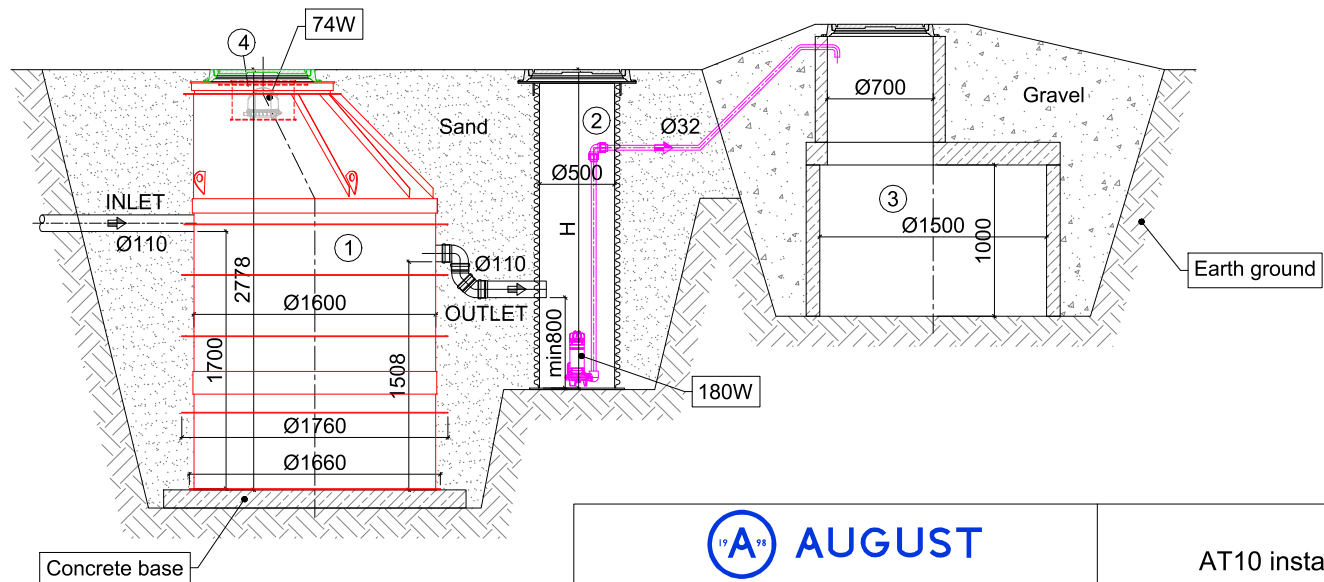
Meiliakalnio k. 1, Jauniūnų sen., Tel./Fax. 8-5 235 50 83

AT10 installation scheme B



EXPLICATION:

1. WWTP AT10KM;
2. Pumping station;
3. Infiltration well;
4. Air blower tank.



Meiliakalnio k. 1, Jauniūnų sen., Tel./Fax. 8-5 235 50 83

AT10 installation scheme C