

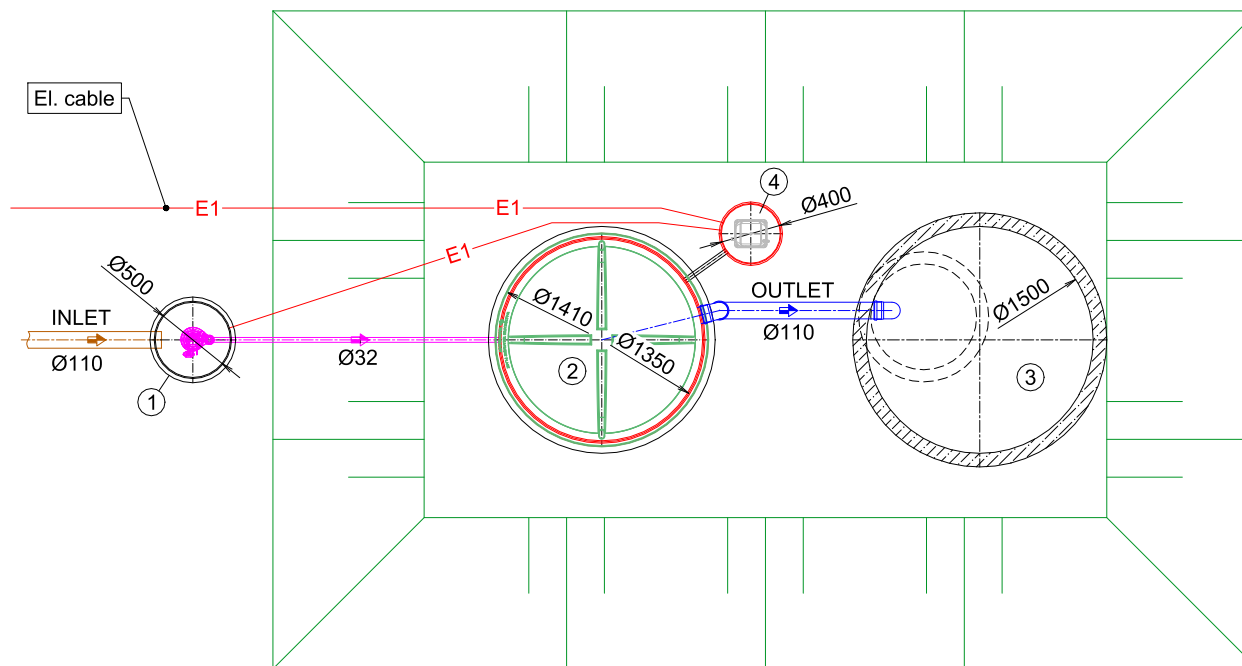
EXPLICATION:

1. WWTP AT6KS;
2. Infiltration well;
3. Air blower tank.



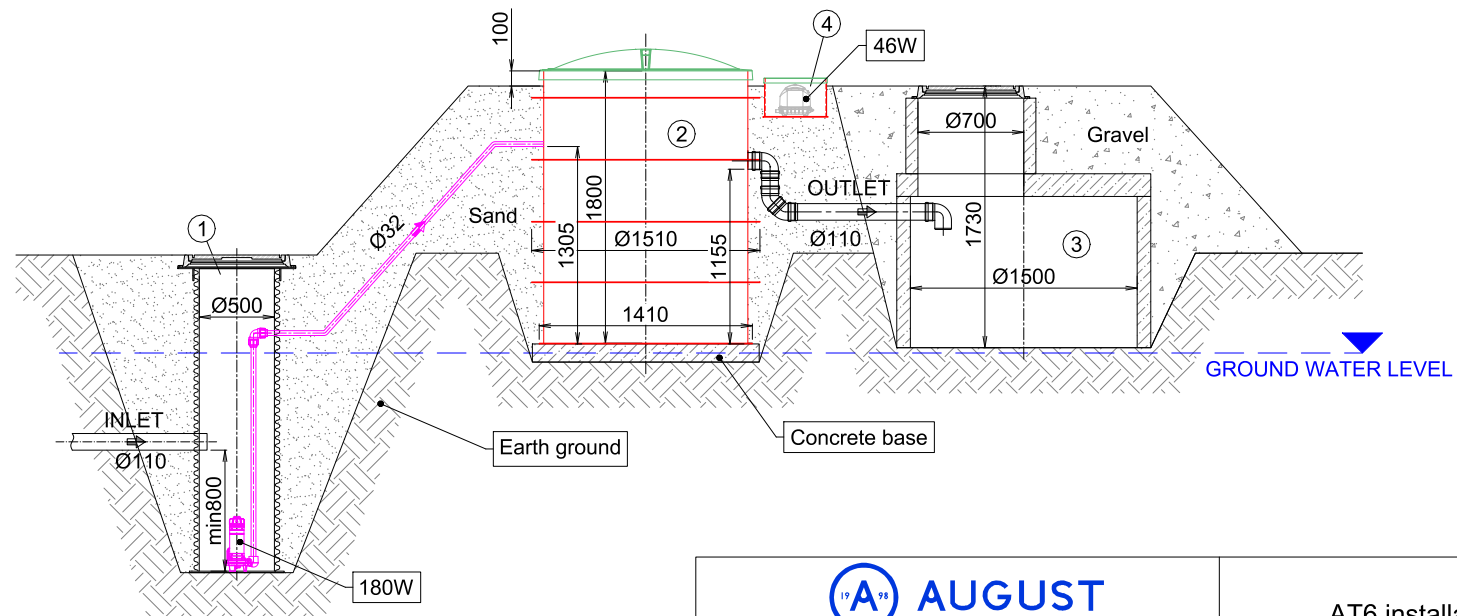
Meiliakalnio k. 1, Jauniūnų sen., Tel./Fax. 8-5 235 50 83

AT6 installation scheme A



EXPLANATION:

1. Pumping station;
2. WWTP AT6;
3. Filtration well;
4. Air blower tank.



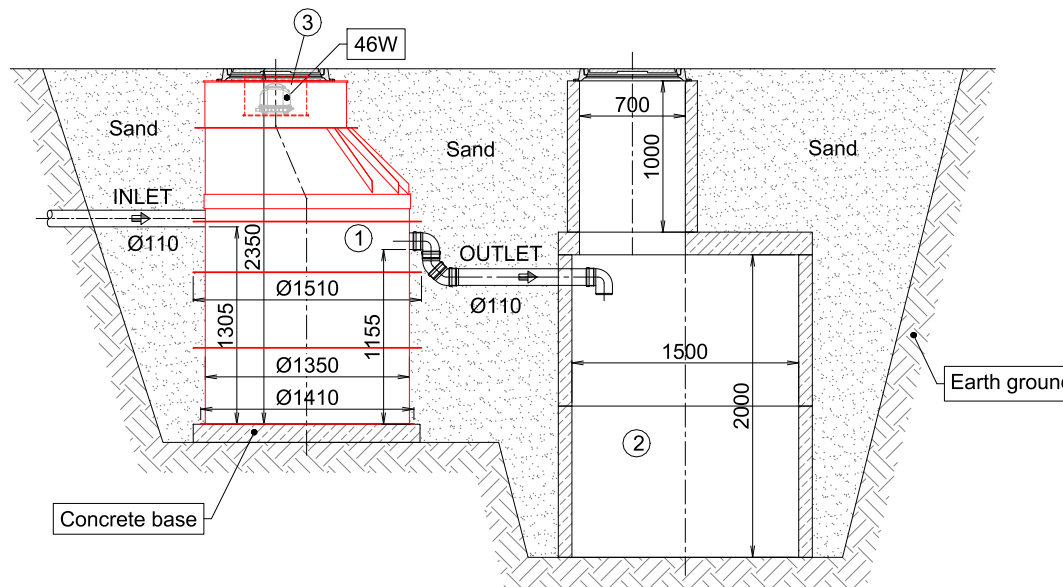
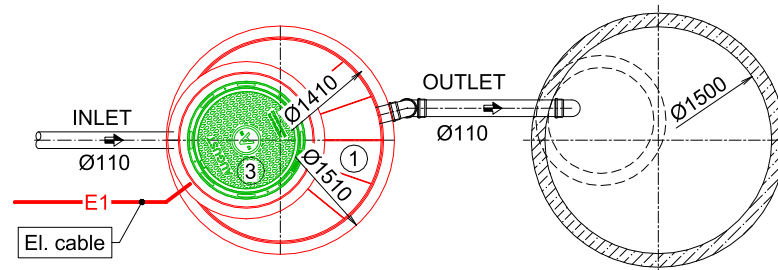
Attention:

The depth of the pumping station depends on the deepening of the exit pipe from the building;



Meiliakalnio k. 1, Jauniūnų sen., Tel./Fax. 8-5 235 50 83

AT6 installation scheme B



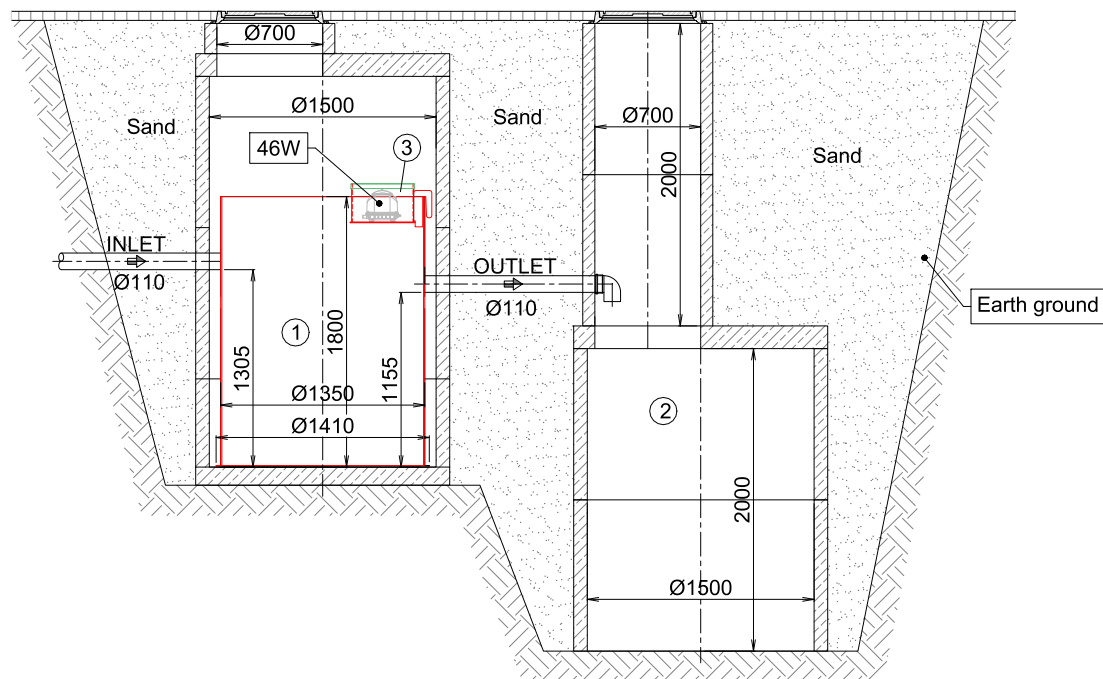
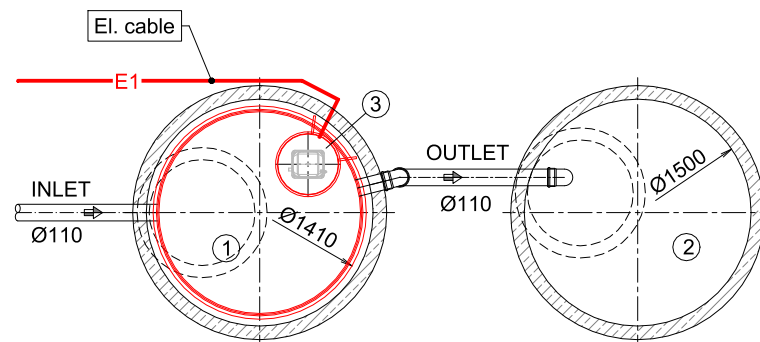
EXPLICATION:

- 1. WWTP AT6KL;
- 2. Infiltration well;
- 3. Air blower tank.



Meiliakalnio k. 1, Jauniūnų sen., Tel./Fax. 8-5 235 50 83

AT6 installation scheme C



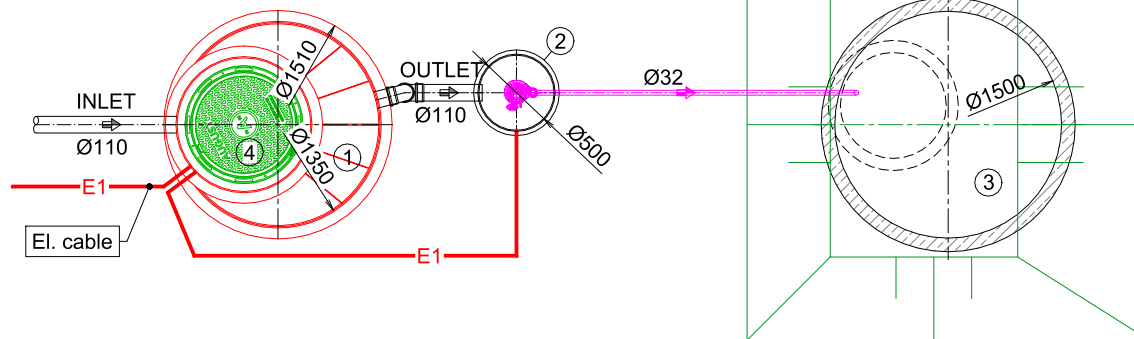
EXPLICATION:

1. WWTP AT6;
2. Infiltration well;
3. Air blower tank.



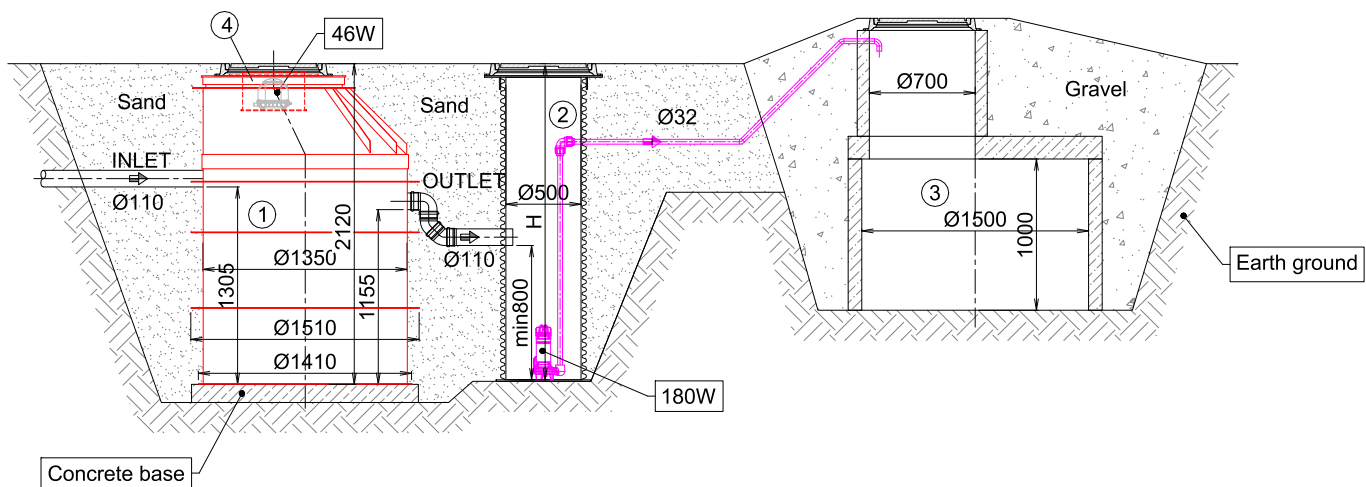
Meiliakalnio k. 1, Jauniūnų sen., Tel./Fax. 8-5 235 50 83

AT6 installation scheme D



EXPLICATION:

1. WWTP AT6KM;
2. Pumping station;
3. Infiltration well;
4. Air blower tank.



Meiliakalnio k. 1, Jauniūnų sen., Tel./Fax. 8-5 235 50 83

AT6 installation scheme E