

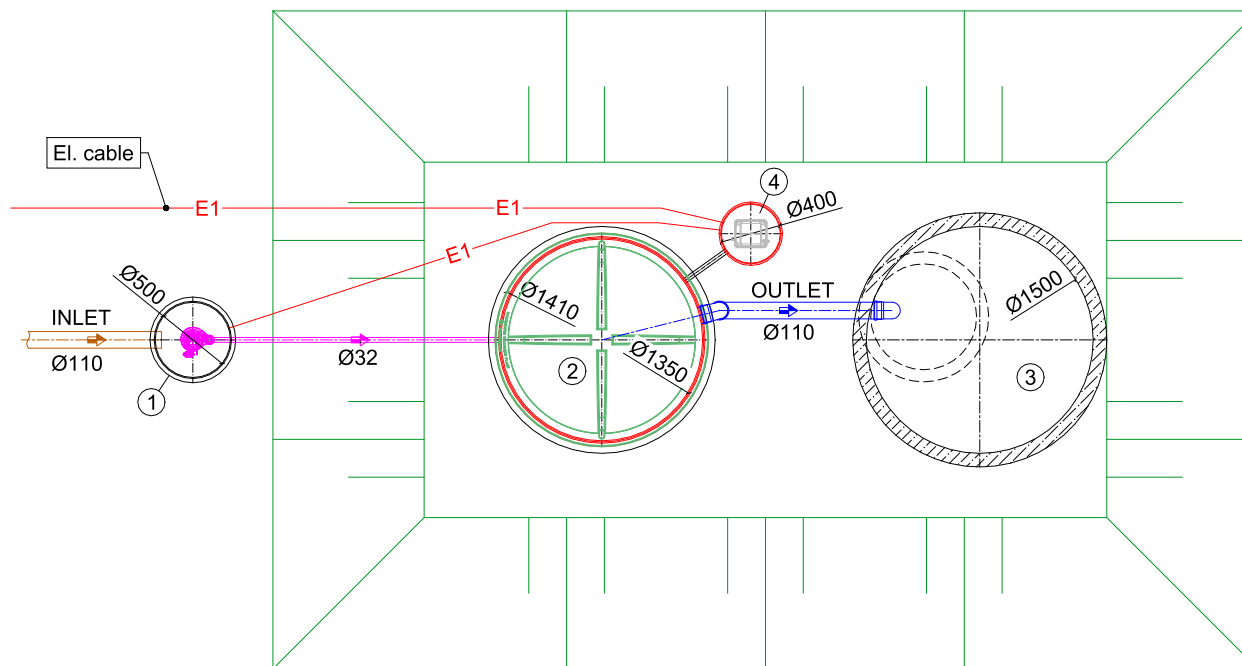
EXPLICATION:

1. WWTP AT8KS;
2. Infiltration well;
3. Air blower tank.



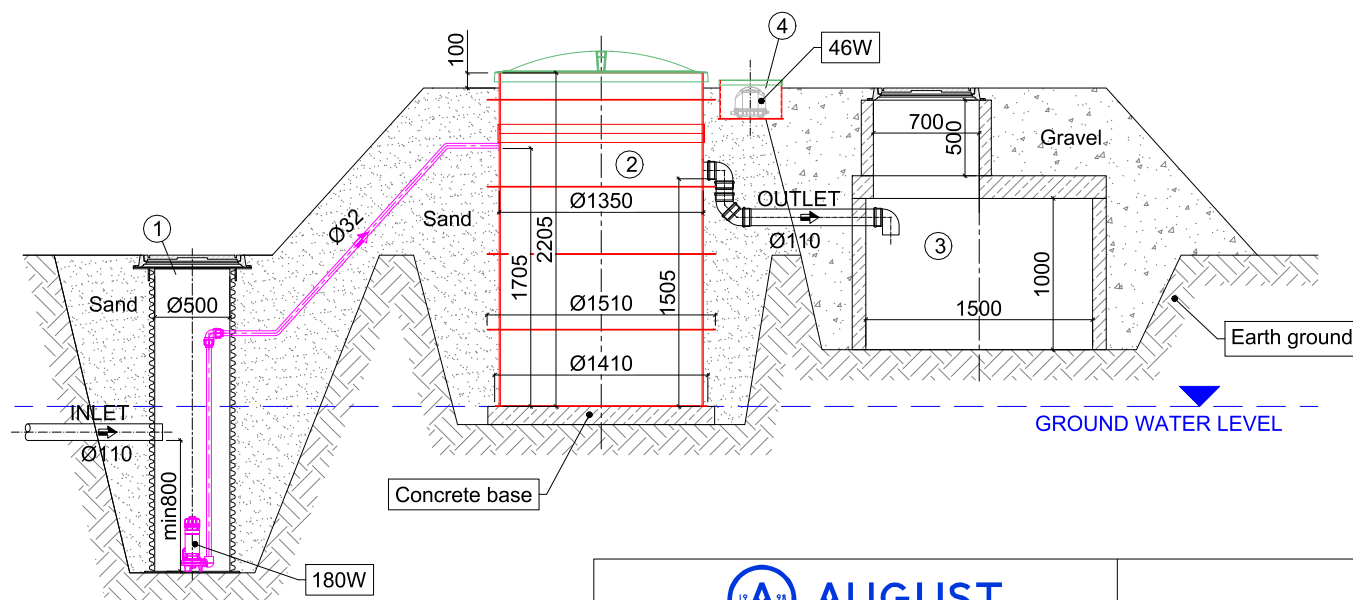
Meiliakalnio k. 1, Jauniūnų sen., Tel./Fax. 8-5 235 50 83

AT8 installation scheme A



EXPLICATION:

1. Pumping station;
2. WWTP AT8;
3. Infiltration well;
4. Air blower tank.



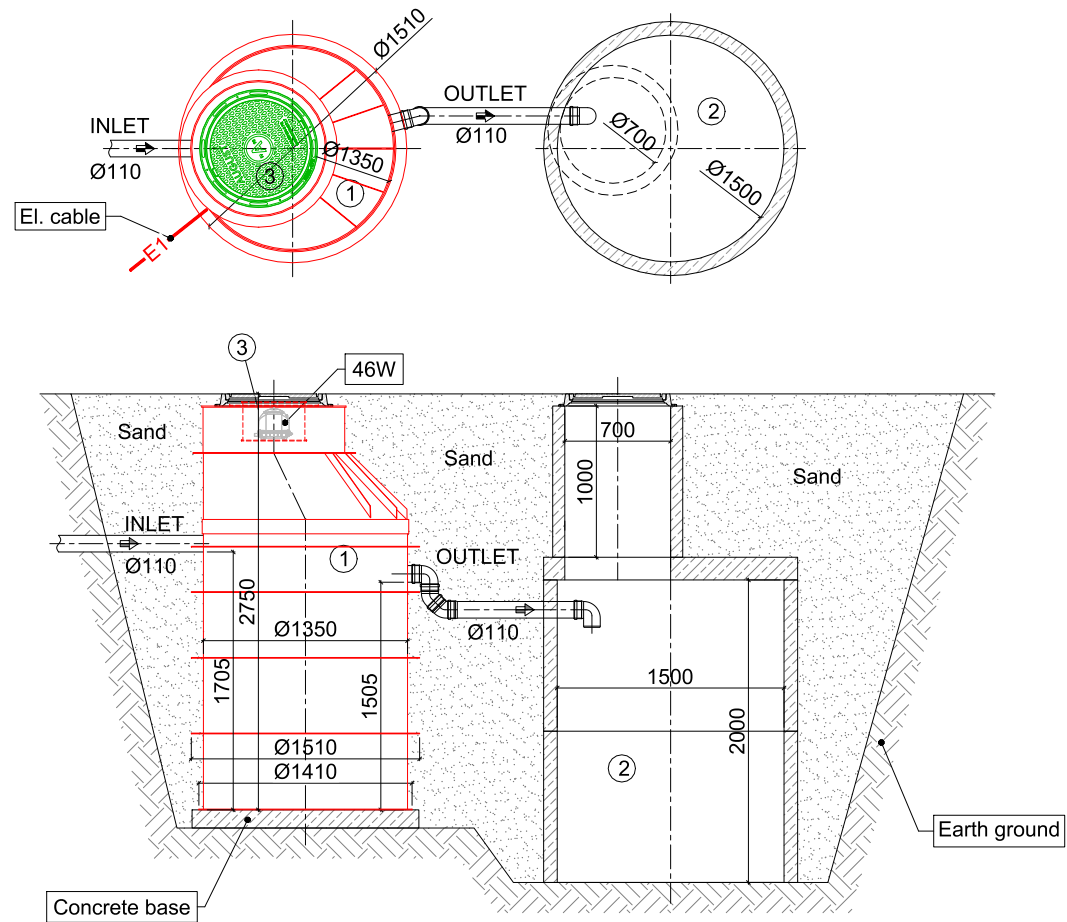
Attention:

The depth of the pumping station depends on the deepening of the exit pipe from the building;



Meiliakalnio k. 1, Jauniūnų sen., Tel./Fax. 8-5 235 50 83

AT8 installation scheme B



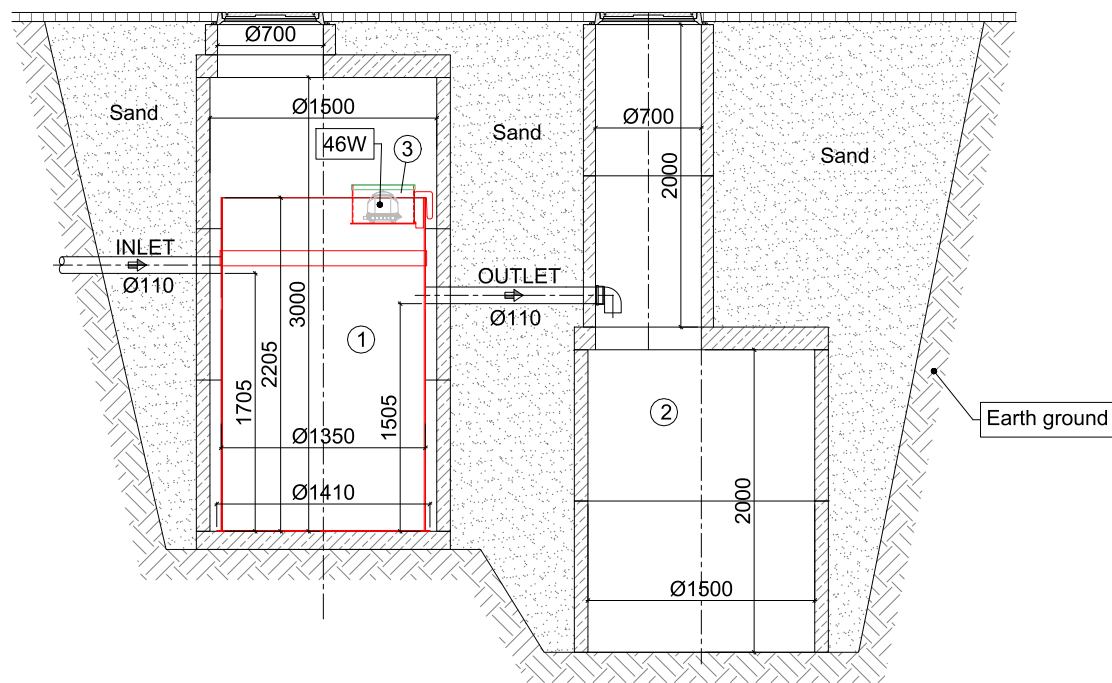
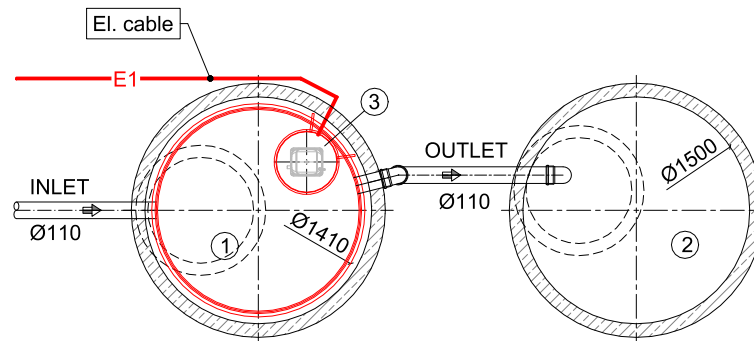
EXPLICATION:

1. WWTP AT8KL;
2. Infiltration well;
3. Air blower tank.



Meiliakalnio k. 1, Jauniūnų sen., Tel./Fax. 8-5 235 50 83

AT8 installation scheme C



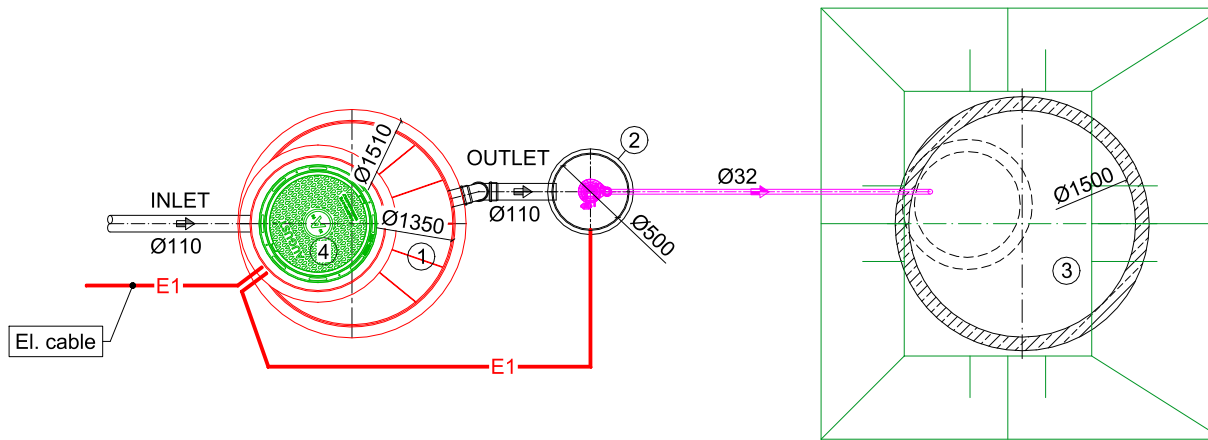
EXPLICATION:

1. WWTP AT8;
2. Infiltration well;
3. Air blower tank.



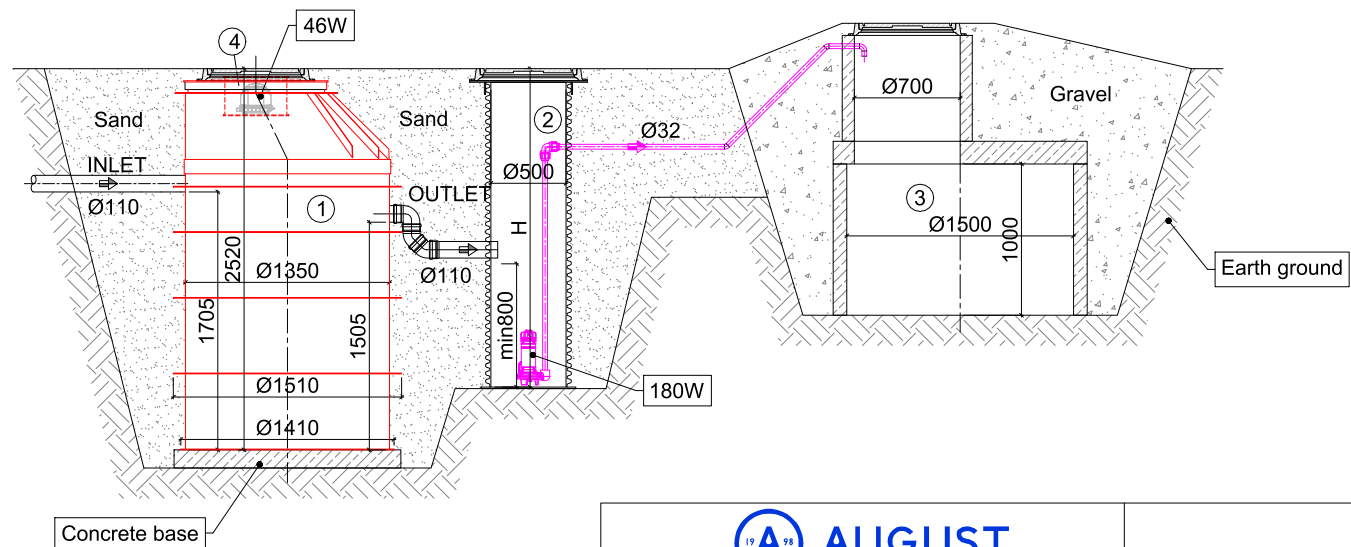
Meiliakalnio k. 1, Jauniūnų sen., Tel./Fax. 8-5 235 50 83

AT8 installation scheme D



EXPLICATION:

1. WWTP AT8KM;
2. Pumping station;
3. Infiltration well;
4. Air blower tank.



Meiliakalnio k. 1, Jauniūnų sen., Tel./Fax. 8-5 235 50 83

AT8 installation scheme E